



essential**Z**
series



Modular Dynamics



SPECIFICATIONS

ESSENTIALZ series

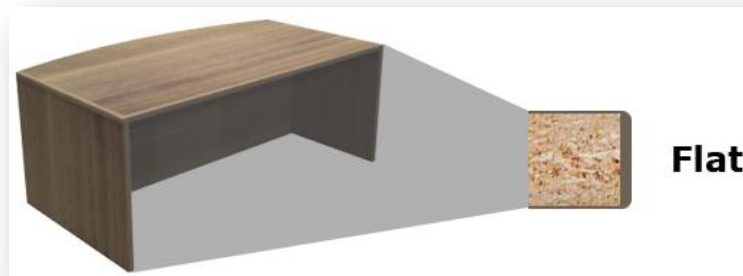
TOPS:

Tops are 1" Thermofused laminate on particle core board.

EDGE PROFILE:

2mm edge (Flat Edge)

- For entire construction of all units including all Doors & Drawer Fronts



MODESTY PANELS, CASES, AND UNDERSTRUCTURE:

Modesty panels, cases of Wallmounts / Hutches / Pedestals / Lateral File Units / Storage Units / Fronts / Doors and Understructure are constructed with Thermofused laminate board.

- Desks have full modesty panels*
- Credenza Shells, Returns, and Bridges come with either 12" or Full modesty depending on the specific need*

LOCKS:

Standard locks on all pedestals and storage unit lateral file drawers.

GLIDES:

Adjustable glides are 1" in length which allows for a range of adjustment of 1/2". Glide inserts and glides are pre-installed at the factory.

DRAWERS:

- All drawer slides have ball bearing movement with positive outstep and hold-in catch
- File and box drawers have a load bearing capacity of 100lbs
- Drawer interiors are four piece construction of 1/2" black Thermofused laminate. Bottoms are also made with the same 1/2" material for strength and rigidity
- All file drawers are equipped for both letter and legal filing
- All box/box/file pedestals in desks are supplied with one molded black pencil tray

PEDESTALS:

Standard Box/Box/File & File/File pedestal module for under work surface:

- Metal/Metal cam lock connectors
- Central gang lock for drawers with removable core system (for ease of service in case of broken/missing key)
- Heavy duty full extension suspension slides
- File drawer includes side to side legal and front to back letter filing
- Letter size filing capability without the need for extra bars or accessories
- Black drawer interiors
- Exclusive **Modular Dynamics** EZ change drawer front system
- **Modular Dynamics** standard black textured elliptical pulls on all drawers

Standard Lateral file module for under work surface:

- Metal/Metal cam lock connectors
- Central gang lock for drawers with removable core system (for ease of service in case of broken/missing key)
- Heavy duty full extension suspension slides
- Drawer accommodate legal filing from side to side without a need for file bars
- Letter and legal filing is possible from front to back with use of supplied bars
- Black drawer interiors
- Exclusive **Modular Dynamics** EZ change drawer front system
- **Modular Dynamics** standard black textured elliptical pulls on all drawers



PULLS / HANDLES:

All drawer fronts, lateral file fronts, and storage doors are equipped with standard black elliptical pulls that are made from solid steel with a matte black epoxy powder coat finish.

***** There will be an upcharge for non-standard pulls/handles *****



- Black Elliptical (Standard)

Handle Options:



- Brushed Elliptical Pull



- Brushed Square Bar Handles



- Silver Slimline Handles



- Brushed Rolled Bar Handles

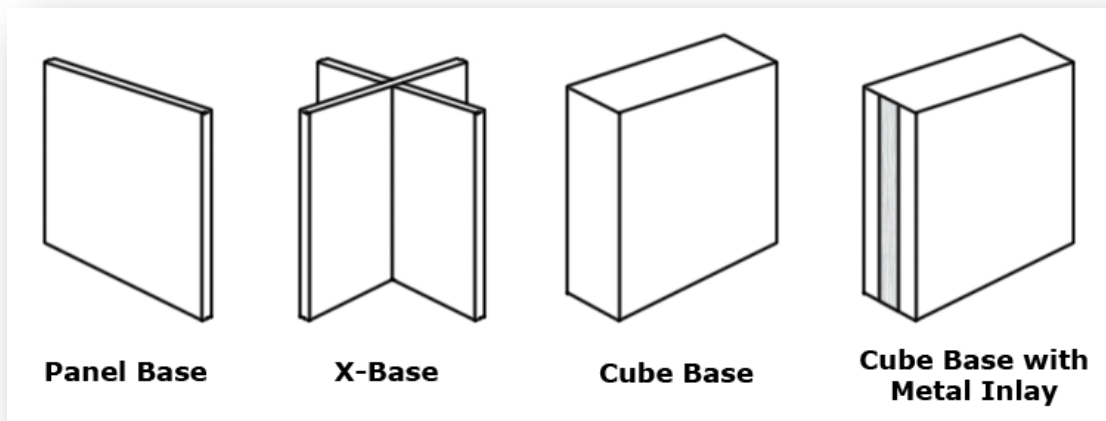


- Brushed or Black Curved Handles



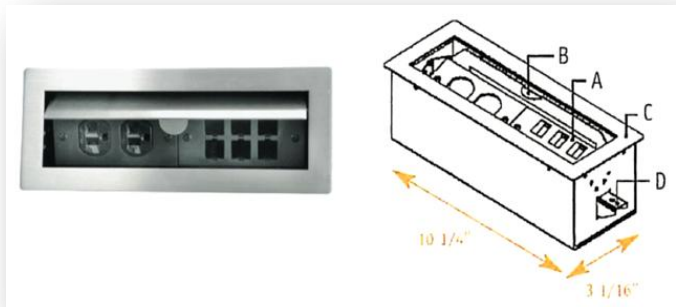
- Silver Fan Style Handles

TABLE BASE:



POWER DECK:

- Supports all structured data wiring systems
- Convenient flip-up cover for easy access
- Durable 16 gauge steel construction
- Adjustable hold-downs simplify rigid installation



CARE AND MAINTAINENCE FOR LAMINATES AND WOOD VENEERS:

- Dust finished wood using a soft cloth or feather duster, moving with the grain.
- Clean hard-to-remove stains with a damp cloth using a small amount of mild soap mixed with warm water.
- Furniture should be located where there is no permanent exposure to direct sunlight.
- Always use felt pads under accessories to avoid scratches on the surface.
- Any wax or silicone based polished should not be used. (A film built up would occur and discolour the surface)
- Use desk pads to write on.

For the first three weeks after receiving your veneer case goods, please avoid dragging any heavy objects across the surface. This three week time period allows the finish to set completely and settle with your work environment.

Melamine Collection



nirvana



en vogue



zambukka



cocoa bliss



butterschnapps



walnut amati



ankara cherry



autumn glow



baroque



pearwood



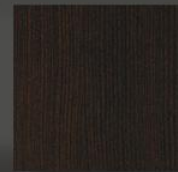
riviera maple



wild cherry



fusion maple



nightfall



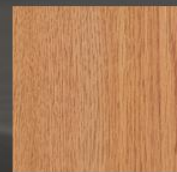
brown pearwood



jewel mahogany



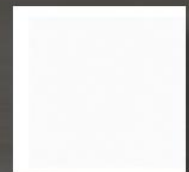
noble mahogany



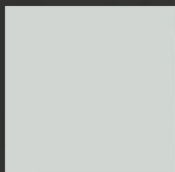
castle oak



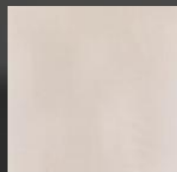
township maple



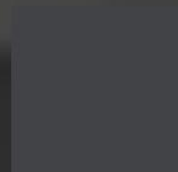
oxford white



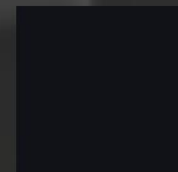
custom grey



silver frost



anthracite



black

*** Note: A 10% upcharge will be applied to orders for colours other than what is shown in this palette ***

essential^Z series

DESK SHELL



(FM / 12M)

ES3048DS	30Dx48W	\$415
ES3060DS	30Dx60W	\$436
ES3066DS	30Dx66W	\$462
ES3072DS	30Dx72W	\$530
ES3084DS	30Dx84W	\$583
ES3096DS	30Dx96W	\$641
ES3660DS	36Dx60W	\$512
ES3666DS	36Dx66W	\$545
ES3672DS	36Dx72W	\$577
ES3684DS	36Dx84W	\$643
ES3696DS	36Dx96W	\$739

BOW DESK SHELL



ES30(36)60BDS	30(36)Dx60W	\$641
ES30(36)66BDS	30(36)Dx66W	\$661
ES30(36)72BDS	30(36)Dx72W	\$689
ES36(41)72BDS	36(41)Dx72W	\$757
ES36(41)84BDS	36(41)Dx84W	\$832
ES36(41)96BDS	36(41)Dx96W	\$931

CREDENZA SHELL



(FM / 12M)

ES2048CS	20Dx48W	\$350
ES2054CS	20Dx54W	\$371
ES2060CS	20Dx60W	\$403
ES2066CS	20Dx66W	\$427
ES2072CS	20Dx72W	\$452
ES2084CS	20Dx84W	\$498
ES2096CS	20Dx96W	\$547

*PRICE FOR 24D WILL BE THE SAME FOR 20D

RETURN (REVERSIBLE)



(FM / 12M)

ES2024RT	20Dx24W	\$290
ES2030RT	20Dx30W	\$299
ES2036RT	20Dx36W	\$315
ES2042RT	20Dx42W	\$332
ES2048RT	20Dx48W	\$350
ES2054RT	20Dx54W	\$375
ES2060RT	20Dx60W	\$403

*PRICE FOR 24D WILL BE THE SAME FOR 20D

J-TOP (L / R)



(LEFT EXT. J-TOP SHOWN)

(T-BASE & 3" BLACK POST LEG)

ES484072JRCE	40(48)Dx72W	\$1,169
ES484072JLCE	40(48)Dx72W	\$1,169
*ADD-ON: FULL MODESTY		\$233

P-TOP / Q-TOP



(T-BASE & 3" BLACK POST LEG)

ES3060P36	30(36)Dx60W	\$588
ES3066P36	30(36)Dx66W	\$627
ES3072P36	30(36)Dx72W	\$651
ES3672P41	36(41)Dx72W	\$674
ES3684P41	36(41)Dx84W	\$721
ES3696P41	36(41)Dx96W	\$793
*ADD-ON: FULL MODESTY		\$233

BULLET TOP



(T-BASE & 3" BLACK POST LEG)

ES3066BT	30Dx66W	\$471
ES3072BT	30Dx72W	\$518
ES3666BT	36Dx66W	\$543
ES3672BT	36Dx72W	\$598
ES3684BT	36Dx84W	\$669
ES3696BT	36Dx96W	\$750
*ADD-ON: FULL MODESTY		\$233

BULLET TOP (L / R)



(RIGHT EXT. BULLET TOP SHOWN)

(T-BASE & 3" BLACK POST LEG)

ES423066BLCE	42(30)Dx66W	\$793
ES423072BLCE	42(30)Dx72W	\$889
ES483672BLCE	48(36)Dx72W	\$993
ES423684BLCE	42(36)Dx84W	\$1,092
ES483696BLCE	48(36)Dx96W	\$1,223
ES423066BRCE	42(30)Dx66W	\$793
ES423072BRCE	42(30)Dx72W	\$889
ES483672BRCE	48(36)Dx72W	\$993
ES483684BRCE	48(36)Dx84W	\$1,092
ES483696BRCE	48(36)Dx96W	\$1,223

essential^Z series

CORNER EXT. UNIT (L / R)



(LEFT EXT. CORNER UNIT SHOWN)

(24D / 24D EXT.)

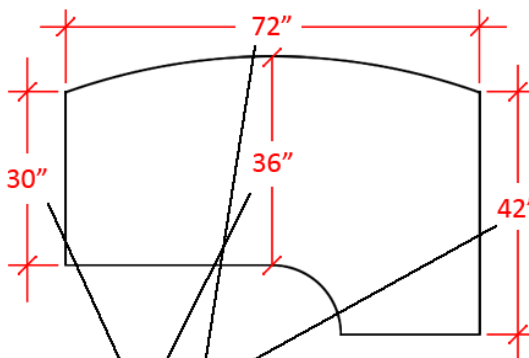
ES3666(2424)CLE	36Dx66W	\$604
ES3672(2424)CLE	36Dx72W	\$641
ES3684(2424)CLE	36Dx84W	\$672
ES4272(2424)CLE	42Dx72W	\$746
ES4284(2424)CLE	42Dx84W	\$820
ES4872(2424)CLE	48Dx72W	\$846
ES4884(2424)CLE	48Dx84W	\$930
ES3666(2424)CRE	36Dx66W	\$604
ES3672(2424)CRE	36Dx72W	\$641
ES3684(2424)CRE	36Dx84W	\$672
ES4272(2424)CRE	42Dx72W	\$746
ES4284(2424)CRE	42Dx84W	\$820
ES4872(2424)CRE	48Dx72W	\$846
ES4884(2424)CRE	48Dx84W	\$930
ES4272(3030)CLE	42Dx72W	\$776
ES4284(3030)CLE	42Dx84W	\$850
ES4872(3030)CLE	48Dx72W	\$876
ES4884(3030)CLE	48Dx84W	\$972
ES4272(3030)CRE	42Dx72W	\$776
ES4284(3030)CRE	42Dx84W	\$850
ES4872(3030)CRE	48Dx72W	\$876
ES4884(3030)CRE	48Dx84W	\$972

EXT. BOW FRONT DESK



(LEFT EXT. DESK UNIT SHOWN)

ES30366642BdLCE	30/36x66Wx42	\$872
ES30367242BdLCE	30/36x72Wx42	\$978
ES36427248BdLCE	36/42x72Wx48	\$1,092
ES36428448BdLCE	36/42x84Wx48	\$1,201
ES36429648BdLCE	36/42x96Wx48	\$1,345
ES42663036BdRCE	42x66Wx30/36	\$872
ES42723036BdRCE	42x72Wx30/36	\$978
ES48723642BdRCE	48x72Wx36/42	\$1,092
ES48843642BdRCE	48x84Wx36/42	\$1,201
ES48963642BdRCE	48x96Wx36/42	\$1,345



ES30367242BdLCE shown

CORNER UNIT



ES3636(2424)CNR (24D / 24D EXT.)	36Dx36W	\$461
ES4242(2424)CNR (24D / 24D EXT.)	42Dx42W	\$523
ES4848(3030)CNR (30D / 30D EXT.)	48Dx48W	\$523

WING (L)



ES2424LW	24Dx24W	\$290
ES2430LW	24Dx30W	\$299
ES2436LW	24Dx36W	\$315
ES2442LW	24Dx42W	\$332
ES2448LW	24Dx48W	\$350
ES2460LW	24Dx60W	\$403
ES3024LW	30Dx24W	\$344
ES3030LW	30Dx30W	\$355
ES3036LW	30Dx36W	\$374
ES3042LW	30Dx42W	\$394
ES3048LW	30Dx48W	\$415
ES3060LW	30Dx60W	\$436

WING (R)



ES2424RW	24Dx24W	\$290
ES2430RW	24Dx30W	\$299
ES2436RW	24Dx36W	\$315
ES2442RW	24Dx42W	\$332
ES2448RW	24Dx48W	\$350
ES2460RW	24Dx60W	\$403
ES3024RW	30Dx24W	\$344
ES3030RW	30Dx30W	\$355
ES3036RW	30Dx36W	\$374
ES3042RW	30Dx42W	\$394
ES3048RW	30Dx48W	\$415
ES3060RW	30Dx60W	\$436

BRIDGE



(FM / 12M)		
ES2036BRG	20Dx36W	\$204
ES2042BRG	20Dx42W	\$233
ES2048BRG	20Dx48W	\$334
ES2054BRG	20Dx54W	\$350
ES2060BRG	20Dx60W	\$368

ARMOIR



ES243066ARM	24Dx30Wx66H	\$1,298
ES243072ARM	24Dx30Wx72H	\$1,376
ES243666ARM	24Dx36Wx66H	\$1,492
ES243672ARM	24Dx36Wx72H	\$1,580

(SWD/LAT/LAT)

TOWER CABINET



ESBBFS2066WR	20Dx30Wx66H	\$1,332
--------------	-------------	---------

(BOX/BOX/FILE/SWD/WARDROBE)

ESWR2066BBFS	20Dx30Wx66H	\$1,332
--------------	-------------	---------

(WARDROBE/BOX/BOX/FILE/SWD)

ESFFS2066WR	20Dx30Wx66H	\$1,332
-------------	-------------	---------

(FILE/FILE/SWD/WARDROBE)

ESWR2066FFS	20Dx30Wx66H	\$1,332
-------------	-------------	---------

(WARDROBE/FILE/FILE/SWD)

(BBF / SWD / WARDROBE SHOWN)

*PRICE FOR 24D WILL BE THE SAME FOR 20D

STORAGE TOWER



ES203066SWD	20Dx30Wx66H	\$1,143
ES203072SWD	20Dx30Wx72H	\$1,298
ES203666SWD	20Dx36Wx66H	\$1,371
ES203672SWD	20Dx36Wx72H	\$1,557

*PRICE FOR 24D WILL BE THE SAME FOR 20D

CREDENZA COMBO



ESSWD2060LAT	20Dx60W	\$1,015
ESSWD2072LAT	20Dx72W	\$1,124
ESLAT2072LAT	20Dx72W	\$1,173
ESSWD2060SWD	20Dx60W	\$957
ESSWD2072SWD	20Dx72W	\$1,077

(SWD / LAT UNIT SHOWN)

STORAGE (FREESTANDING)



ES2030SWD	20Dx30Wx29H	\$633
ES2036SWD	20Dx36Wx29H	\$693
ES203642SWD	20Dx36Wx42H	\$795
ES203654SWD	20Dx36Wx54H	\$895

LATERAL (FREESTANDING)



ES2030LAT	20Dx30Wx29H	\$680
ES2036LAT	20Dx36Wx29H	\$739
ES203642LAT3	20Dx36Wx42H	\$1,185
ES203654LAT4	20Dx36Wx54H	\$1,513

MULTI-FILE (MODULE)



(BOX/BOX/FILE/LAT)

ES07MP30	20Dx30Wx28H	\$765
ES07MP36	20Dx36Wx28H	\$879

STORAGE (MODULE)



ES07S30	20Dx30Wx28H	\$582
ES07S36	20Dx36Wx28H	\$630

LATERAL (MODULE)



ES07L30	20Dx30Wx28H	\$630
ES07L36	20Dx36Wx28H	\$676

OPEN WALLMOUNT



ES143620OWM	14Dx36Wx20H	\$280
ES144220OWM	14Dx42Wx20H	\$304
ES144820OWM	14Dx48Wx20H	\$332
ES146020OWM	14Dx60Wx20H	\$413
ES146620OWM	14Dx66Wx20H	\$442
ES147220OWM	14Dx72Wx20H	\$502

CLOSED WALLMOUNT



ES153620CWM	15Dx36Wx20H	\$430
ES154220CWM	15Dx42Wx20H	\$456
ES154820CWM	15Dx48Wx20H	\$485
ES156020CWM	15Dx60Wx20H	\$627
ES156620CWM	15Dx66Wx20H	\$639
ES157220CWM	15Dx72Wx20H	\$679

OPEN WALLMOUNT (W / CUBBY)



ES143624OWMC	14Dx36Wx24H	\$436
ES144224OWMC	14Dx42Wx24H	\$460
ES144824OWMC	14Dx48Wx24H	\$488
ES146024OWMC	14Dx60Wx24H	\$569
ES146624OWMC	14Dx66Wx24H	\$598
ES147224OWMC	14Dx72Wx24H	\$658

CLOSED WALLMOUNT (W / CUBBY)



ES153624CWMC	15Dx36Wx24H	\$586
ES154224CWMC	15Dx42Wx24H	\$612
ES154824CWMC	15Dx48Wx24H	\$641
ES156024CWMC	15Dx60Wx24H	\$783
ES156624CWMC	15Dx66Wx24H	\$795
ES157224CWMC	15Dx72Wx24H	\$835

OPEN HUTCH



ES146037OH	14Dx60Wx37H	\$513
ES146637OH	14Dx66Wx37H	\$542
ES147237OH	14Dx72Wx37H	\$602

CLOSED HUTCH



ES156037CH	15Dx60Wx37H	\$462
ES156637CH	15Dx66Wx37H	\$651
ES157237CH	15Dx72Wx37H	\$714

essential^Z series

OPEN HUTCH (W/CUBBY)



ES146043OHC	14Dx60Wx43H	\$613
ES146643OHC	14Dx66Wx43H	\$642
ES147243OHC	14Dx72Wx43H	\$702

CLOSED HUTCH



ES156037CH	15Dx60Wx37H	\$462
ES156637CH	15Dx66Wx37H	\$651
ES157237CH	15Dx72Wx37H	\$714

OPEN HUTCH (W/CUBBY)



ES146043OHC	14Dx60Wx43H	\$613
ES146643OHC	14Dx66Wx43H	\$642
ES147243OHC	14Dx72Wx43H	\$702

CLOSED HUTCH (W/CUBBY)



ES156043CHC	15Dx60Wx43H	\$695
ES156643CHC	15Dx66Wx43H	\$874
ES157243CHC	15Dx72Wx43H	\$936

BOOKCASE (FULL BACK)



ES123230BKHB	12Dx32Wx30H	\$207
ES123248BKHB	12Dx32Wx48H	\$234
ES123266BKHB	12Dx32Wx66H	\$264
ES123272BKHB	12Dx32Wx72H	\$278

BOOKCASE (HARDBOARD BACK)



ES123230BKHB	12Dx32Wx30H	\$207
ES123248BKHB	12Dx32Wx48H	\$234
ES123266BKHB	12Dx32Wx66H	\$264
ES123272BKHB	12Dx32Wx72H	\$278

PEDESTAL BOX/FILE (HANGING)



ES07BF	20Dx15Wx20H	\$231
ES05BF	24Dx15Wx20H	\$282

PEDESTAL BOX/BOX/FILE (MODULE)



ES07BBF	20Dx15Wx28H	\$441
ES05BBF	24Dx15Wx28H	\$513

PEDESTAL FILE/FILE (MODULE)



ES07FF	20Dx15Wx28H	\$441
ES05FF	24Dx15Wx28H	\$513

PEDESTAL BOX/BOX/FILE (MOBILE)



(3/4" TOP)

ES07BMP	20Dx15Wx28H	\$626
---------	-------------	-------

RECEPTION DESK (42" H)

ES3072GDSK	30Dx72Wx42H	\$1,229
------------	-------------	---------

RECEPTION RETURN (L / R)

ES2442GRET	24Dx42Wx42H	\$490
------------	-------------	-------



(RECEPTION DESK w/RH RETURN SHOWN)

COFFEE TABLE



(1" THICK BOARD / 2MM PVC BX)

ES243616CT	24Dx36Wx16H	\$450
ES244816CT	24Dx48Wx16H	\$497

END TABLE



(1" THICK BOARD / 2MM PVC BX)

ES242419ET	24Dx14Wx19H	\$404
------------	-------------	-------

ROUND TABLE



(WOODEN X-BASE SHOWN)

(1-1/2" THICK BX)

ES30ROUNDXB	30Øx29H	\$381
ES30ROUNDBMB	30Øx29H	\$491
ES36ROUNDXB	36Øx29H	\$400
ES36ROUNDBMB	36Øx29H	\$510
ES42ROUNDXB	42Øx29H	\$494
ES42ROUNDBMB	42Øx29H	\$604
ES48ROUNDXB	48Øx29H	\$518
ES48ROUNDBMB	48Øx29H	\$628

*XB - WOODEN X-BASE

*BMB - BLACK METAL BASE

BOARDROOM TABLE



(1-1/2" THICK BX)

ES4872RTTE	48Dx72Wx29H	\$682
ES4896RTTE	48Dx96Wx29H	\$856
ES48120RTTE	48Dx120Wx29H	\$1,111
ES48144RTTE	48Dx144Wx29H	\$1,225

*STANDARD INCLUDES PANEL STRETCHER BASE

OPTIONS:

ADDITIONS & UPCHARGES FOR BOARDROOM TABLE

- POWER DECK **\$789 / EACH ADDON**

UPGRADES

- CUBE BASE (L.P. LAMINATE) **\$209 / EACH ADDON**

- CUBE BASE WITH METAL INLAY (L.P. LAMINATE) **\$487 / EACH ADDON**

UPCHARGE FOR PULLS / HANDLES

- NON-STANDARD BLACK ELLIPTICAL **\$27 / EACH ADDON**

UPCHARGE FOR OPEN WALLMOUNT / HUTCH

- ALUMINIUM GLASS DOOR **\$380 / PER DOOR**

- SLIDING DOORS (59" & BELOW WIDTH) **\$460 / SET**

- SLIDING DOORS (60" TO 72" WIDTH) **\$589 / SET**



WARRANTY:

Modular Dynamics warrants the construction and finish of all our products to be free from defects in materials and workmanship for a period of 10 years from the date of purchase. Casters, mechanical and electrical components have a warranty of five years from the date of purchase. The Modular Dynamics warranty does not apply to damage caused by a carrier other than Modular Dynamics, or by damage caused during the delivery and installation of our products by non Modular Dynamics employees, or any variations in wood finishes due to natural wood colour variation. Repair or replacement of any defect covered by the Modular Dynamics warranty will be made at no charge to the original purchaser during the warranty period.

This warranty policy does not apply to defects resulting from negligence, misuse, alteration, improper cleaning, stains or accidents. Modular Dynamics' judgement will be final in all matters concerning the condition of the furniture, the cause or nature of the defect and the necessity or manner of repair. Although Modular Dynamics ensures the highest quality workmanship in all of its products, Modular Dynamics does not warranty against normal wear or damage that has occurred during the life of the product. Modular Dynamics is not responsible for the damage or degradation of product that may occur due to extreme hot or cold temperatures, or exposure to excessive moisture after it has left Modular Dynamics factory.

Modular Dynamics product should not be exposed to any extreme hot or cold temperatures during its life. All products should be stored in climate-controlled warehousing and should be transported on climate-controlled trailers and containers, in order to protect its integrity. Trailers and containers should not be used for storage of products. Products should remain in a climate-controlled environment until the time that transport commences and should be moved into a climate-controlled environment as soon as transport is completed. Exposure to extreme heat or cold temperatures voids the Modular Dynamics warranty.

This warranty applies to products sold in North America only and is made by Modular Dynamics only to the original purchasers acquiring our products through authorized Modular Dynamics dealers, directly from Modular Dynamics, or from others specifically authorized to sell our products.

