



***Modular Dynamics***



**edge** *Series*



***Modular Dynamics***



## **SPECIFICATIONS**

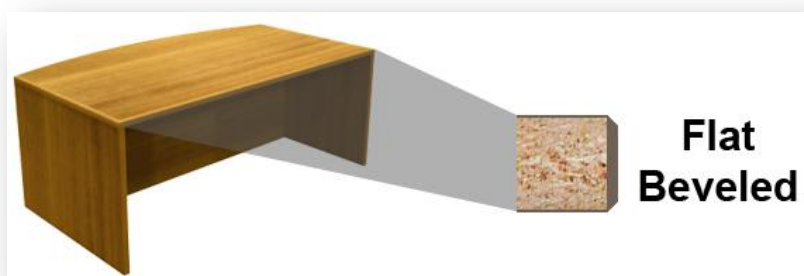
### **EDGE series**

#### **TOPS:**

*Tops are 1 1/2" Thermofused laminate on particle core board.*

#### **EDGE PROFILE:**

*3mm wood (Flat Beveled) edge for Tops and 2mm PVC for the understructure including doors and drawer fronts.*



#### **MODESTY PANELS, CASES, AND UNDERSTRUCTURE:**

*Modesty panels, cases of Wallmounts / Hutches / Pedestals / Lateral File Units / Storage Units / Fronts / Doors and Understructure are constructed with Thermofused laminate board.*

- Desks have full modesty panels
- Credenza Shells, Returns, and Bridges come with either 12" or Full modesty depending on the specific need

#### **LOCKS:**

*Standard locks on all pedestals and storage unit lateral file drawers.*

#### **GLIDES:**

*Adjustable glides are 1" in length which allows for a range of adjustment of 1/2". Glide inserts and glides are pre-installed at the factory.*

## **DRAWERS:**

- All drawer slides have ball bearing movement with positive outstep and hold-in catch
- File and box drawers have a load bearing capacity of 100lbs
- Drawer interiors are four piece construction of 1/2" black Thermofused laminate. Bottoms are also made with the same 1/2" material for strength and rigidity
- All file drawers are equipped for both letter and legal filing
- All box/box/file pedestals in desks are supplied with one molded black pencil tray

## **PEDESTALS:**

### **Standard Box/Box/File & File/File pedestal module for under work surface:**

- Metal/Metal cam lock connectors
- Central gang lock for drawers with removable core system (for ease of service in case of broken/missing key)
- Heavy duty full extension suspension slides
- File drawer includes side to side legal and front to back letter filing
- Letter size filing capability without the need for extra bars or accessories
- Black drawer interiors
- Exclusive **Modular Dynamics** EZ change drawer front system
- **Modular Dynamics** standard black textured elliptical pulls on all drawers

### **Standard Lateral file module for under work surface:**

- Metal/Metal cam lock connectors
- Central gang lock for drawers with removable core system (for ease of service in case of broken/missing key)
- Heavy duty full extension suspension slides
- Drawer accommodate legal filing from side to side without a need for file bars
- Letter and legal filing is possible from front to back with use of supplied bars
- Black drawer interiors
- Exclusive **Modular Dynamics** EZ change drawer front system
- **Modular Dynamics** standard black textured elliptical pulls on all drawers



**PULLS / HANDLES:**

All drawer fronts, lateral file fronts, and storage doors are equipped with standard black elliptical pulls that are made from solid steel with a matte black epoxy powder coat finish.

**\*\*\* There will be an upcharge for non-standard pulls/handles \*\*\***



- Black Elliptical (Standard)

**Handle Options:**



- Brushed Elliptical Pull



- Brushed Square Bar Handles



- Silver Slimline Handles



- Brushed Rolled Bar Handles

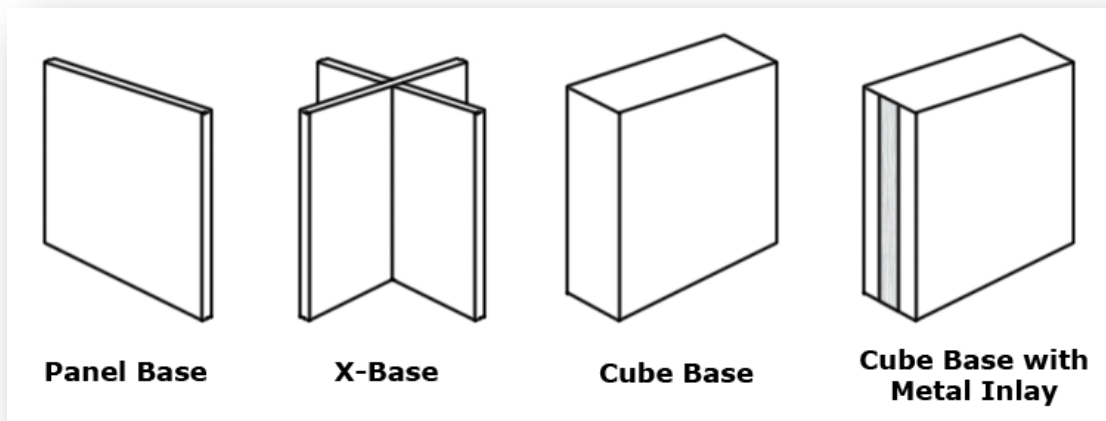


- Brushed or Black Curved Handles



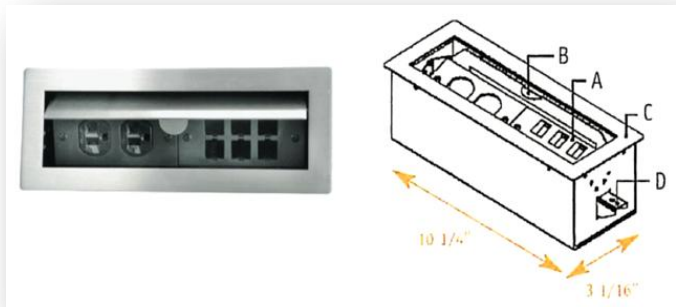
- Silver Fan Style Handles

## **TABLE BASE:**



## **POWER DECK:**

- Supports all structured data wiring systems
- Convenient flip-up cover for easy access
- Durable 16 gauge steel construction
- Adjustable hold-downs simplify rigid installation



## **CARE AND MAINTAINENCE FOR LAMINATES AND WOOD VENEERS:**

- Dust finished wood using a soft cloth or feather duster, moving with the grain.
- Clean hard-to-remove stains with a damp cloth using a small amount of mild soap mixed with warm water.
- Furniture should be located where there is no permanent exposure to direct sunlight.
- Always use felt pads under accessories to avoid scratches on the surface.
- Any wax or silicone based polished should not be used. (A film built up would occur and discolour the surface)
- Use desk pads to write on.

*For the first three weeks after receiving your veneer case goods, please avoid dragging any heavy objects across the surface. This three week time period allows the finish to set completely and settle with your work environment.*

## Melamine Collection



nirvana



en vogue



zambukka



cocoa bliss



butterschnapps



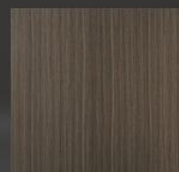
walnut amati



ankara cherry



autumn glow



baroque



pearwood



riviera maple



wild cherry



fusion maple



nightfall



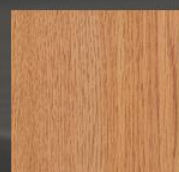
brown pearwood



jewel mahogany



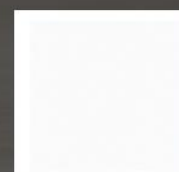
noble mahogany



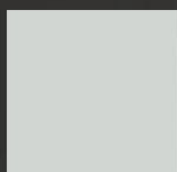
castle oak



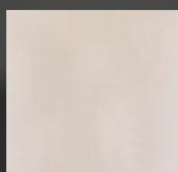
township maple



oxford white



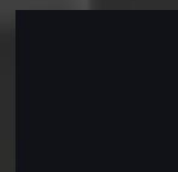
custom grey



silver frost



anthracite



black

\*\*\* Note: A 10% upcharge will be applied to orders for colours other than what is shown in this palette \*\*\*

## DESK SHELL



(FM / 12M)

EDGE3048DS	30Dx48W	\$628
EDGE3060DS	30Dx60W	\$665
EDGE3066DS	30Dx66W	\$768
EDGE3072DS	30Dx72W	\$816
EDGE3084DS	30Dx84W	\$929
EDGE3660DS	36Dx60W	\$719
EDGE3666DS	36Dx66W	\$830
EDGE3672DS	36Dx72W	\$882
EDGE3684DS	36Dx84W	\$1,004

## BOW DESK SHELL



EDGE36(41)72BDS	41(36)Dx72W	\$1,141
EDGE42(48)72BDS	48(42)Dx72W	\$1,439

## CREDENZA SHELL



(FM / 12M)

EDGE2048CS	20Dx48W	\$573
EDGE2054CS	20Dx54W	\$590
EDGE2060CS	20Dx60W	\$610
EDGE2066CS	20Dx66W	\$643
EDGE2072CS	20Dx72W	\$677
EDGE2084CS	20Dx84W	\$772

\*PRICE FOR 24D WILL BE THE SAME FOR 20D

## RETURN (REVERSIBLE)



(FM / 12M)

EDGE2036RT	20Dx36W	\$452
EDGE2042RT	20Dx42W	\$497
EDGE2048RT	20Dx48W	\$546
EDGE2054RT	20Dx54W	\$623
EDGE2060RT	20Dx60W	\$651

\*PRICE FOR 24D WILL BE THE SAME FOR 20D

**J-TOP (L / R)**



(LEFT EXT. J-TOP SHOWN)

**(T-BASE & 3" BLACK POST LEG)**

EDGE484072JRCE	40(48)Dx72W	\$2,091
EDGE484072JLCE	40(48)Dx72W	\$2,091
<b>*ADD-ON: FULL MODESTY</b>		<b>\$233</b>

**P-TOP / Q-TOP**



**(T-BASE & 3" BLACK POST LEG)**

EDGE3060P36	30(36)Dx60W	\$1,112
EDGE3066P36	30(36)Dx66W	\$1,171
EDGE3072P36	30(36)Dx72W	\$1,233
EDGE3672P41	36(41)Dx72W	\$1,344
EDGE3684P41	36(41)Dx84W	\$1,617
EDGE3696P41	36(41)Dx96W	\$1,778
<b>*ADD-ON: FULL MODESTY</b>		<b>\$233</b>

**BULLET TOP**



**(T-BASE & 3" BLACK POST LEG)**

EDGE3066BT	30Dx66W	\$732
EDGE3072BT	30Dx72W	\$795
EDGE3666BT	36Dx66W	\$795
EDGE3672BT	36Dx72W	\$854
<b>*ADD-ON: FULL MODESTY</b>		<b>\$233</b>

**BULLET TOP (L / R)**



(RIGHT EXT. BULLET TOP SHOWN)

**(T-BASE & 3" BLACK POST LEG)**

EDGE423072BLCE	30(42)Dx72W (30 Ø/24D EXT.)	\$1,672
EDGE483672BLCE	36(48)Dx72W (36 Ø/24D EXT.)	\$1,916
EDGE423072BRCE	30(42)Dx72W (30 Ø/24D EXT.)	\$1,672
EDGE483672BRCE	36(48)Dx72W (36 Ø/24D EXT.)	\$1,916
<b>*ADD-ON: FULL MODESTY</b>		<b>\$233</b>

## CORNER EXT. UNIT (L / R)



(LEFT EXT. CORNER UNIT SHOWN)

### (24D / 24D EXT.)

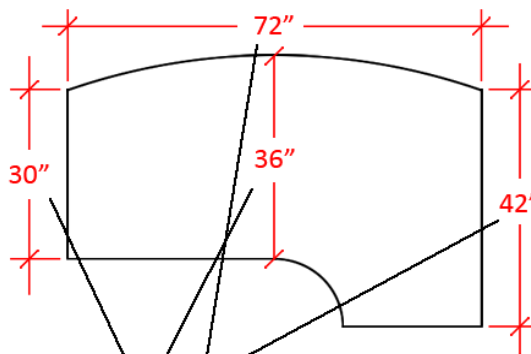
EDGE3672(2424)CLE	36Dx72W	\$1,006
EDGE3684(2424)CLE	36Dx84W	\$1,120
EDGE4272(2424)CLE	42Dx72W	\$1,090
EDGE4284(2424)CLE	42Dx84W	\$1,211
EDGE4872(2424)CLE	48Dx72W	\$1,195
EDGE4884(2424)CLE	48Dx84W	\$1,328
EDGE3672(2424)CRE	36Dx72W	\$1,006
EDGE3684(2424)CRE	36Dx84W	\$1,120
EDGE4272(2424)CRE	42Dx72W	\$1,090
EDGE4284(2424)CRE	42Dx84W	\$1,211
EDGE4872(2424)CRE	48Dx84W	\$1,193
EDGE4884(2424)CRE	48Dx84W	\$1,328

## EXT. BOW FRONT DESK



(LEFT EXT. DESK UNIT SHOWN)

EDGE30366642BdLCE	30/36x66Wx42	\$960
EDGE30367242BdLCE	30/36x72Wx42	\$1,076
EDGE36427248BdLCE	36/42x72Wx48	\$1,201
EDGE36428448BdLCE	36/42x84Wx48	\$1,321
EDGE36429648BdLCE	36/42x96Wx48	\$1,480
EDGE42663036BdRCE	42x66Wx30/36	\$960
EDGE42723036BdRCE	42x72Wx30/36	\$1,076
EDGE48723642BdRCE	48x72Wx36/42	\$1,201
EDGE48843642BdRCE	48x84Wx36/42	\$1,321
EDGE48963642BdRCE	48x96Wx36/42	\$1,480



EDGE30367242BdLCE shown

## CORNER UNIT



EDGE3636(2424)CNR (24D / 24D EXT.)	36Dx36W	\$618
EDGE4242(2424)CNR (24D / 24D EXT.)	42Dx42W	\$738
EDGE4848(3030)CNR (30D / 30D EXT.)	48Dx48W	\$738

## WING (L)



EDGE2424LW	24Dx24W	\$393
EDGE2430LW	24Dx30W	\$427
EDGE2436LW	24Dx36W	\$452
EDGE2442LW	24Dx42W	\$497
EDGE2448LW	24Dx48W	\$546
EDGE2460LW	24Dx60W	\$651

## WING (R)



EDGE2424RW	24Dx24W	\$393
EDGE2430RW	24Dx30W	\$427
EDGE2436RW	24Dx36W	\$452
EDGE2442RW	24Dx42W	\$497
EDGE2448RW	24Dx48W	\$546
EDGE2460RW	24Dx60W	\$651

## BRIDGE



<b>(FM / 12M)</b>		
EDGE2036BRG	20Dx36W	\$383
EDGE2042BRG	20Dx42W	\$383
EDGE2048BRG	20Dx48W	\$434
EDGE2054BRG	20Dx54W	\$536
EDGE2060BRG	20Dx60W	\$573

## CREDENZA COMBO



EDGESWD2072LAT	20Dx72W	\$1,360
EDGESWD2472LAT	24Dx72W	\$1,360
EDGESWD2072SWD	20Dx72W	\$1,264
EDGESWD2472SWD	24Dx72W	\$1,264
EDGELAT2072LAT	20Dx72W	\$1,458
EDGELAT2472LAT	24Dx72W	\$1,458
<b>(LAT / SWD UNIT SHOWN)</b>		

## ARMOIR



EDGE243066ARM	24Dx30Wx66H	\$1,456
EDGE243072ARM	24Dx30Wx72H	\$1,538

(SWD/LAT/LAT)

## TOWER CABINET



EDGEBBFS2066WR (BOX/BOX/FILE/SWD/WARDROBE)	20Dx30Wx66H	\$1,506
---	-------------	---------

EDGEWR2066BBFS (WARDROBE/BOX/BOX/FILE/SWD)	20Dx30Wx66H	\$1,506
---	-------------	---------

EDGEFFS2066WR (FILE/FILE/SWD/WARDROBE)	20Dx30Wx66H	\$1,506
---	-------------	---------

EDGEWR2066FFS (WARDROBE/FILE/FILE/SWD)	20Dx30Wx66H	\$1,506
---	-------------	---------

(BBF / SWD / WARDROBE SHOWN)

\*PRICE FOR 24D WILL BE THE SAME FOR 20D

## STORAGE TOWER



EDGE203066SWD	20Dx30Wx66H	\$1,200
EDGE203072SWD	20Dx30Wx72H	\$1,281

\*PRICE FOR 24D WILL BE THE SAME FOR 20D

**STORAGE (FREESTANDING)**



EDGE2030SWD	20Dx30Wx29H	\$722
EDGE2036SWD	20Dx36Wx29H	\$782

**LATERAL (FREESTANDING)**



EDGE2030LAT	20Dx30Wx29H	\$770
EDGE2036LAT	20Dx36Wx29H	\$828
EDGE203642LAT3	20Dx36Wx42H	\$1,275
EDGE203654LAT4	20Dx36Wx54H	\$1,602

**MULTI-FILE (MODULE)**



(BOX/BOX/FILE/LAT)

EDGE07MP30	20Dx30Wx28H	\$765
------------	-------------	-------

**STORAGE (MODULE)**



EDGE07S30	20Dx30Wx28H	\$583
EDGE07S36	20Dx36Wx28H	\$630

## LATERAL (MODULE)



EDGE07L30	20Dx30Wx28H	\$630
EDGE07L36	20Dx36Wx28H	\$676

## OPEN WALLMOUNT



EDGE143620OWM	14Dx36Wx20H	\$398
EDGE144220OWM	14Dx42Wx20H	\$426
EDGE144820OWM	14Dx48Wx20H	\$469
EDGE146020OWM	14Dx60Wx20H	\$530
EDGE146620OWM	14Dx66Wx20H	\$571
EDGE147220OWM	14Dx72Wx20H	\$644

## CLOSED WALLMOUNT



EDGE153620CWM	15Dx36Wx20H	\$524
EDGE154220CWM	15Dx42Wx20H	\$550
EDGE154820CWM	15Dx48Wx20H	\$579
EDGE156020CWM	15Dx60Wx20H	\$744
EDGE156620CWM	15Dx66Wx20H	\$769
EDGE157220CWM	15Dx72Wx20H	\$854

## OPEN WALLMOUNT (W / CUBBY)



EDGE143624OWMC	14Dx36Wx24H	\$562
EDGE144224OWMC	14Dx42Wx24H	\$590
EDGE144824OWMC	14Dx48Wx24H	\$633
EDGE146024OWMC	14Dx60Wx24H	\$764
EDGE146624OWMC	14Dx66Wx24H	\$805
EDGE147224OWMC	14Dx72Wx24H	\$878

**CLOSED WALLMOUNT (W / CUBBY)**



EDGE153624CWMC	15Dx36Wx24H	\$688
EDGE154224CWMC	15Dx42Wx24H	\$714
EDGE154824CWMC	15Dx48Wx24H	\$742
EDGE156024CWMC	15Dx60Wx24H	\$979
EDGE156624CWMC	15Dx66Wx24H	\$1,003
EDGE157224CWMC	15Dx72Wx24H	\$1,088

**OPEN HUTCH**



EDGE146037OH	14Dx60Wx37H	\$482
EDGE146637OH	14Dx66Wx37H	\$688
EDGE147237OH	14Dx72Wx37H	\$738

**CLOSED HUTCH**



EDGE156037CH	15Dx60Wx37H	\$696
EDGE156637CH	15Dx66Wx37H	\$885
EDGE157237CH	15Dx72Wx37H	\$948

**OPEN HUTCH (W/CUBBY)**



EDGE146043OHC	14Dx60Wx43H	\$716
EDGE146643OHC	14Dx66Wx43H	\$922
EDGE147243OHC	14Dx72Wx43H	\$972

## CLOSED HUTCH (W/CUBBY)



EDGE156043CHC	15Dx60Wx43H	\$930
EDGE156643CHC	15Dx66Wx43H	\$1,119
EDGE157243CHC	15Dx72Wx43H	\$1,182

## BOOKCASE (FULL BACK)



EDGE123230BKFB	12Dx32Wx30H	\$380
EDGE123248BKFB	12Dx32Wx48H	\$488
EDGE123266BKFB	12Dx32Wx66H	\$552
EDGE123272BKFB	12Dx32Wx72H	\$584

**PEDESTAL BOX/FILE (HANGING)**



EDGE07BF	20Dx15Wx20H	\$231
EDGE05BF	24Dx15Wx20H	\$282

**PEDESTAL BOX/BOX/FILE (MODULE)**



EDGE07BBF	20Dx15Wx28H	\$441
EDGE05BBF	24Dx15Wx28H	\$513

**PEDESTAL FILE/FILE (MODULE)**



EDGE07FF	20Dx15Wx28H	\$441
EDGE05FF	24Dx15Wx28H	\$513

**PEDESTAL BOX/BOX/FILE (MOBILE)**



(3/4" TOP)

EDGE07BMP	20Dx15Wx28H	\$626
-----------	-------------	-------

# edge *Series*

## RECEPTION DESK (42"H)

EDGE3072GDSK	30Dx72Wx42H	\$2,220
--------------	-------------	---------

## RECEPTION RETURN (L / R)

EDGE2442GRET	24Dx42Wx42H	\$1,127
--------------	-------------	---------



(RECEPTION DESK w/RH RETURN SHOWN)

## COFFEE TABLE



EDGE243616CT	24Dx36Wx16H	\$490
EDGE244816CT	24Dx48Wx16H	\$538

## END TABLE



EDGE242419ET	24Dx24Wx19H	\$444
--------------	-------------	-------

**ROUND TABLE**



(WOODEN X-BASE SHOWN)

(1-1/2" THICK BX)

EDGE30ROUNDXB	30Øx29H	\$868
EDGE30ROUNDBMB	30Øx29H	\$1,088
EDGE36ROUNDXB	36Øx29H	\$965
EDGE36ROUNDBMB	36Øx29H	\$1,185
EDGE42ROUNDXB	42Øx29H	\$1,016
EDGE42ROUNDBMB	42Øx29H	\$1,236
EDGE48ROUNDXB	48Øx29H	\$1,097
EDGE48ROUNDBMB	48Øx29H	\$1,317

\*XB - WOODEN X-BASE

\*BMB - BLACK METAL BASE

**BOARDROOM TABLE**



(1-1/2" THICK BX)

EDGE4872RTTE	48Dx72Wx29H	\$1,205
EDGE4896RTTE	48Dx96Wx29H	\$1,368
EDGE48120RTTE	48Dx120Wx29H	\$2,167
EDGE48144RTTE	48Dx144Wx29H	\$2,380

\*STANDARD INCLUDES PANEL STRETCHER BASE

**OPTIONS:**

**ADDITIONS & UPCHARGES FOR BOARDROOM TABLE**

- POWER DECK **\$789 / EACH ADDON**

**UPGRADES**

- CUBE BASE (L.P. LAMINATE) **\$209 / EACH ADDON**

- CUBE BASE WITH METAL INLAY (L.P. LAMINATE) **\$487 / EACH ADDON**

**UPCHARGE FOR PULLS / HANDLES**

- NON-STANDARD BLACK ELLIPTICAL **\$27 / EACH ADDON**

**UPCHARGE FOR OPEN WALLMOUNT / HUTCH**

- ALUMINIUM GLASS DOOR **\$380 / PER DOOR**

- SLIDING DOORS (59" & BELOW WIDTH) **\$460 / SET**

- SLIDING DOORS (60" TO 72" WIDTH) **\$589 / SET**



## **WARRANTY:**

*Modular Dynamics warrants the construction and finish of all our products to be free from defects in materials and workmanship for a period of 10 years from the date of purchase. Casters, mechanical and electrical components have a warranty of five years from the date of purchase. The Modular Dynamics warranty does not apply to damage caused by a carrier other than Modular Dynamics, or by damage caused during the delivery and installation of our products by non Modular Dynamics employees, or any variations in wood finishes due to natural wood colour variation. Repair or replacement of any defect covered by the Modular Dynamics warranty will be made at no charge to the original purchaser during the warranty period.*

*This warranty policy does not apply to defects resulting from negligence, misuse, alteration, improper cleaning, stains or accidents. Modular Dynamics' judgement will be final in all matters concerning the condition of the furniture, the cause or nature of the defect and the necessity or manner of repair. Although Modular Dynamics ensures the highest quality workmanship in all of its products, Modular Dynamics does not warranty against normal wear or damage that has occurred during the life of the product. Modular Dynamics is not responsible for the damage or degradation of product that may occur due to extreme hot or cold temperatures, or exposure to excessive moisture after it has left Modular Dynamics factory.*

*Modular Dynamics product should not be exposed to any extreme hot or cold temperatures during its life. All products should be stored in climate-controlled warehousing and should be transported on climate-controlled trailers and containers, in order to protect its integrity. Trailers and containers should not be used for storage of products. Products should remain in a climate-controlled environment until the time that transport commences and should be moved into a climate-controlled environment as soon as transport is completed. Exposure to extreme heat or cold temperatures voids the Modular Dynamics warranty.*

*This warranty applies to products sold in North America only and is made by Modular Dynamics only to the original purchasers acquiring our products through authorized Modular Dynamics dealers, directly from Modular Dynamics, or from others specifically authorized to sell our products.*

